

Combined Fixed Indoor AC Metal-clad switchgear Type - XGT8-12

General :

XGT8-12 Combined and Fixed Indoor AC Metal-clad switchgear (hereafter referred to as switchgear) is a new generation of HV electric product, researched, designed and developed by ourselves. And it is the indoor switchgear, using 12kV three-phase AC rated voltage and 50HZ rated frequency.

This switchgear is the 50HZ, 3-10kV indoor complete equipment of single busbar or sectioning busbar used to distribute electric power. It has the function of breaking short circuit, monitoring and protecting circuit. It can be combined randomly or used with HKT1 RMU. And it is widely used in the substation and places with less maintenance, but frequent operation.

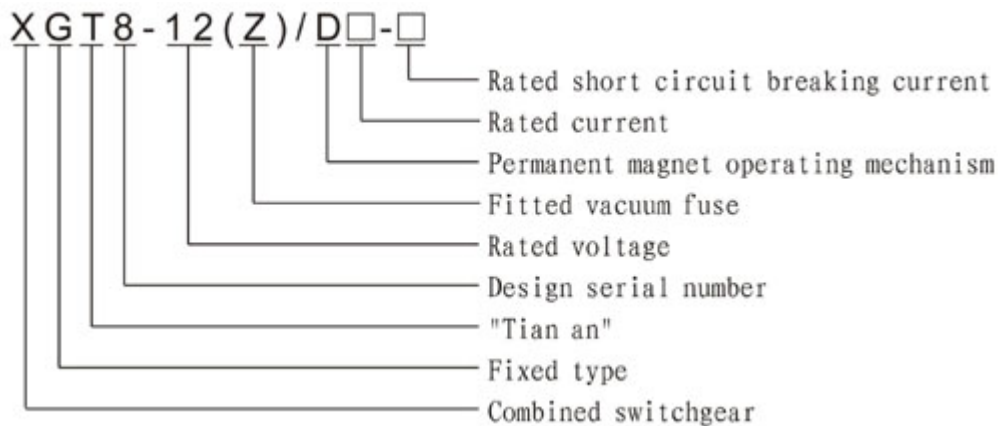


Product features:

a. It is small in size, less in space. The enclosure of switchgear are imported and bent zinc plate coated aluminium, with universal spare parts and short production period. The protection level of its enclosure is IP3X. And the decompression passages are on the top and back of the switchgear. Besides the primary components is mounted on the side.

b. It adopts "Five protection" interlock mechanism. The function of "Five protection" interlock and operating mechanism have been integrated into a separate interlock operating mechanism module. The interlock is easy and reliable. And the disconnecter and earthing switch is easily operated. At the same time, the arrangement inside the cubicle is simple.

Type designation :



Technical parameter :

Name	Unit	Parameter	
Rated voltage	kV	12	
Rated current	A	630	1250
Rated frequency	Hz	50	
Rated short circuit breaking current	kA	20	25 31.5
Rated lightning impulse withstand current	kV	phase to earth and phase to phase 75, isolating distance;ō85	
Rated 1min power frequency withstand voltage	kV	phase to earth and phase to phase 42, isolating distance;ō48	
42 rated short time withstand current	kA	20	25 31.5
Rated peak withstand current	kA	50	63 80
Protection degree of enclosure		IP3X	
Mechanical endurance	times	30000	
Dimension(width*depth*height)	mm	700x900x2000	

Ordering notice :

While ordering, please provide the following data:

- a. Primary circuit scheme and single busbar system diagram;
- b. Secondary control principle wiring diagram or layout wiring diagram, terminal pareto diagram ;
- c. Layout plan of switchgear;
- d. Detailed type, specification and quantity of varieties of electric appliances fitted in the switchgear;
- e. Material, specification of main busbar and busbar is up to manufacturer, if without any request from customers;
- f. If used in special environment, please indicate it while ordering.